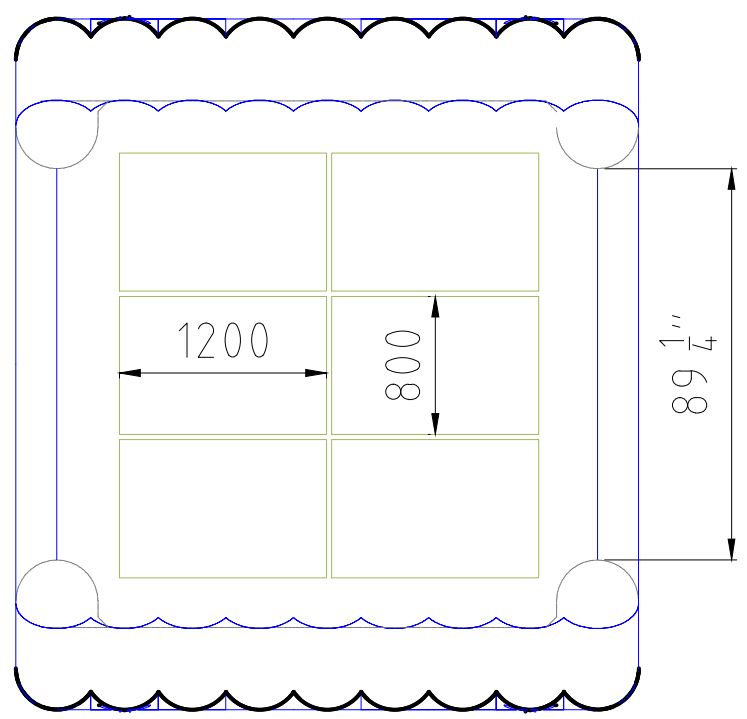


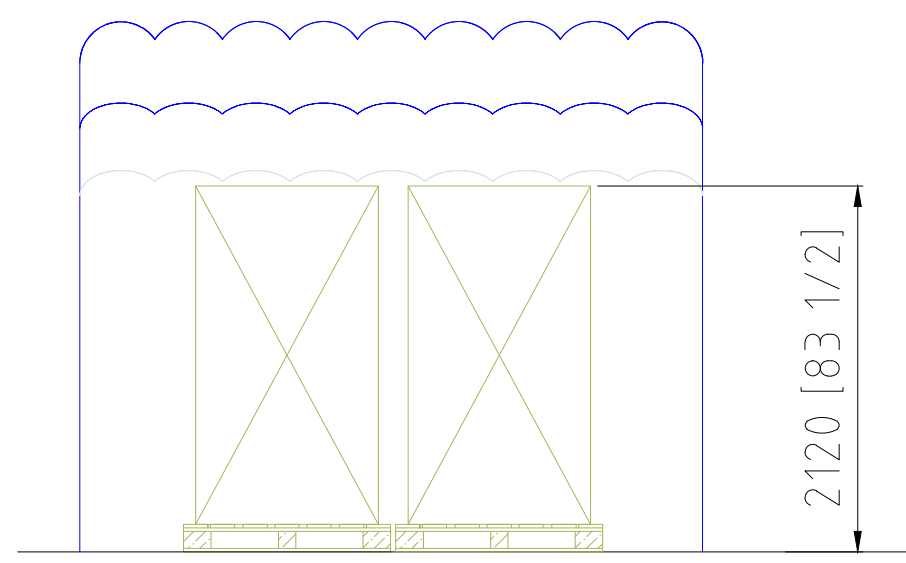
PRELIMINARY DRAWING – NOT
SUITABLE FOR CONSTRUCTION
DO NOT SCALE IF IN DOUBT ASK!



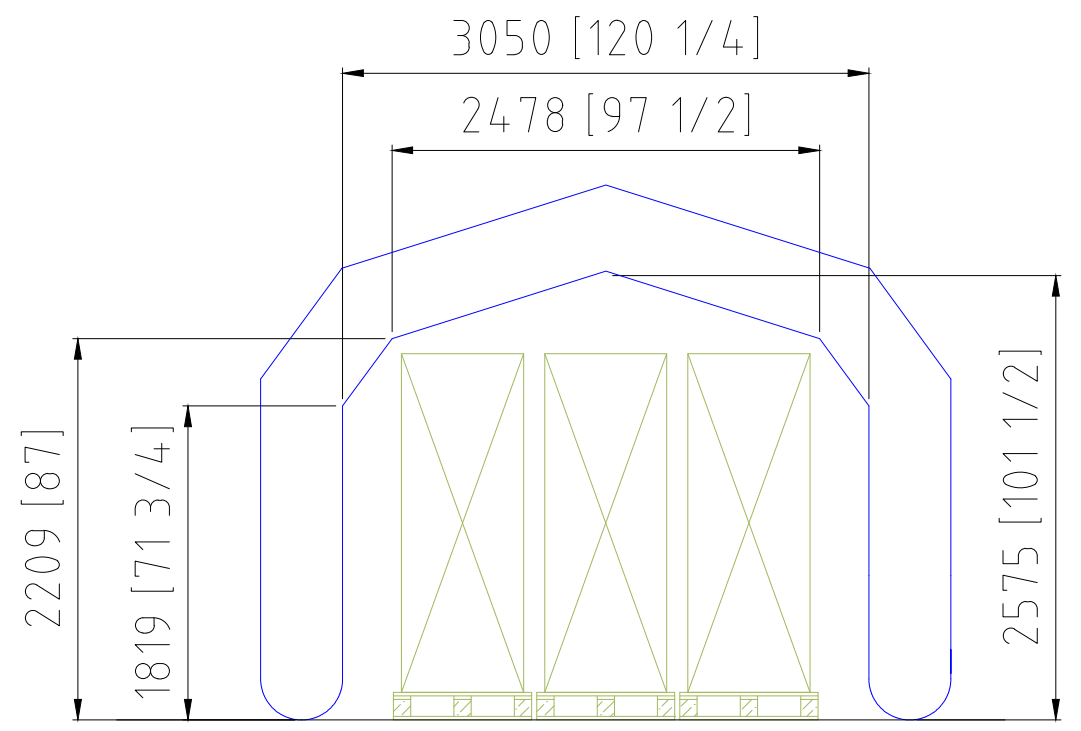
PLAN VIEW

TEMPSTORE

THE AGILE SOLUTION



SIDE SECTION



FRONT SECTION

©Dawsongroup International
All rights reserved. No part of this design
may be used or reproduced without the
written permission of Dawsongroup
International limited.
Dawsongroup | international

DATES:	
CREATED:	09/01/2020 11:38 AM
UPDATED:	27/01/2020 8:56 AM
PRINTED:	27/01/2020 8:57 AM



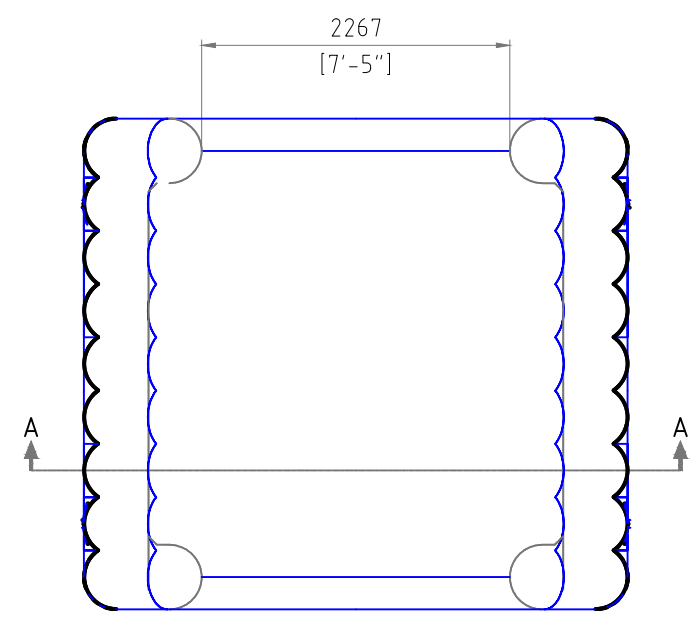
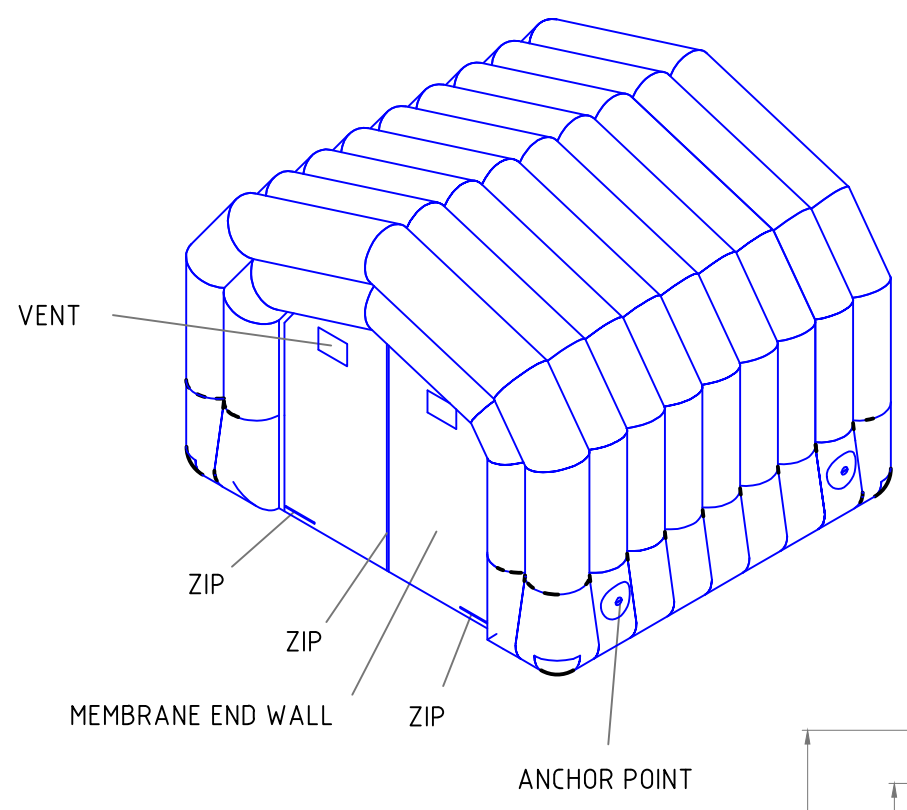
Dawsongroup | international
 ● 8 Delaware Dr, Tongwell
 Milton Keynes MK15 8JH
 tel : (01908) 218111
 fax : (01908) 218111
 web site : www.dawsongroup.co.uk

DIMS. IN mm
 PRINT SIZE: A3
 SCALE: NTS
 DRAWN: LG

PROJECT: TempStore 10
 DRAWING TITLE: EU PALLETS LAYOUT
 DRAWING NUMBER: TempStore 10

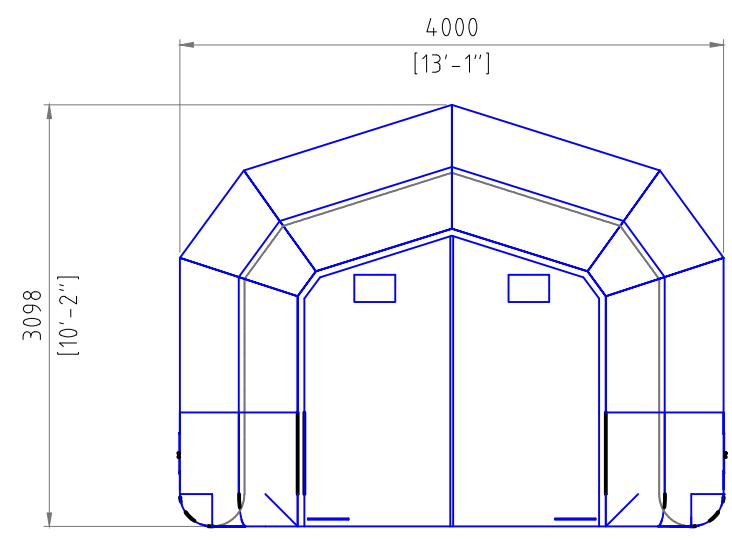
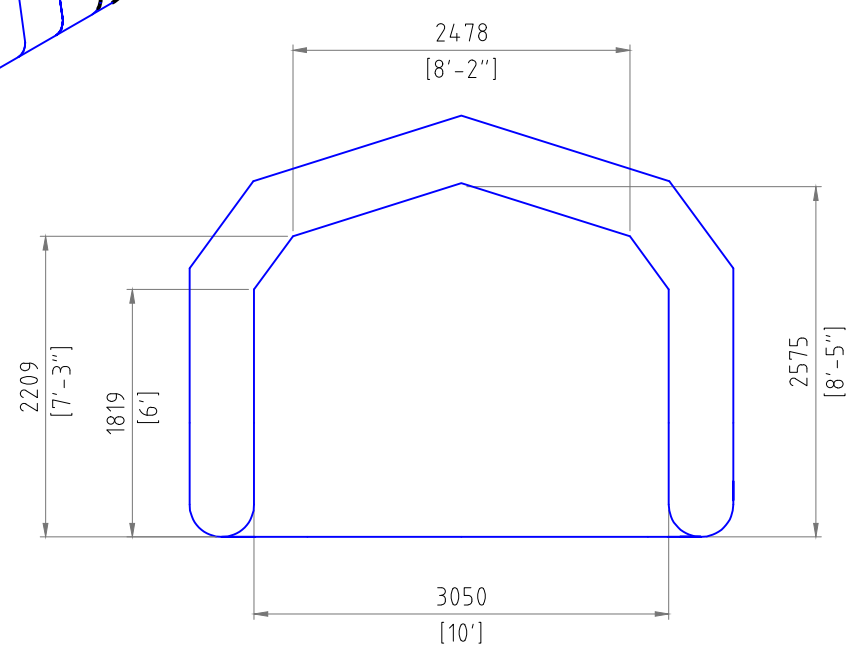
PRELIMINARY DRAWING – NOT
SUITABLE FOR CONSTRUCTION
DO NOT SCALE IF IN DOUBT ASK!

ISOMETRIC VIEW

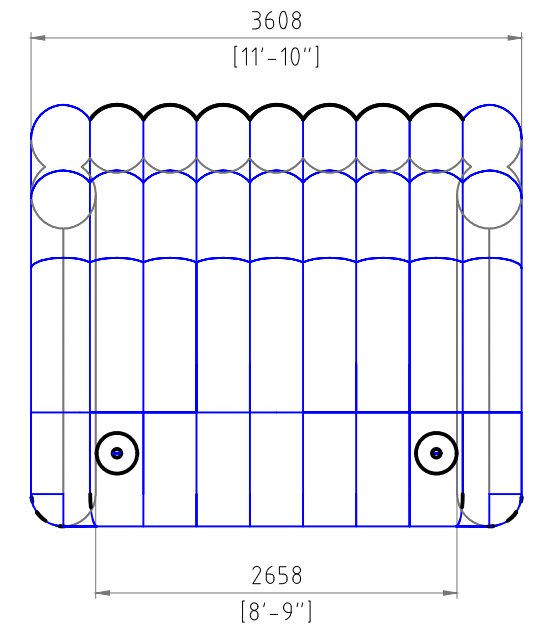


PLAN VIEW

SECTION A-A



DOOR ELEVATION



SIDE ELEVATION

©Dawsongroup Temperature Control Solution
All rights reserved. No part of this design
may be used or reproduced without the
written permission of Dawsongroup
Temperature Control Solution Limited.

Dawsongroup | temperature control solutions

DATES:

CREATED: 25/01/2019 10:28 AM
UPDATED: 25/01/2019 11:25 AM
PRINTED: 25/01/2019 11:25 AM



Dawsongroup | temperature control solutions

• Fulwood Industrial Estate, Export Drive,
Sutton In Ashfield, Nottinghamshire NG17 6AF
tel : (01623) 516666
fax : (01623) 516819
web site : www.dawsongroup.co.uk

DIMS. IN mm
PRINT SIZE: A3
SCALE: NTS
DRAWN: LG

PROJECT: LOW CAPACITY INFLATABLE CHILL STORE
SINGLE MODULE
DRAWING TITLE: ALL VIEWS
DRAWING NUMBER: LCS single